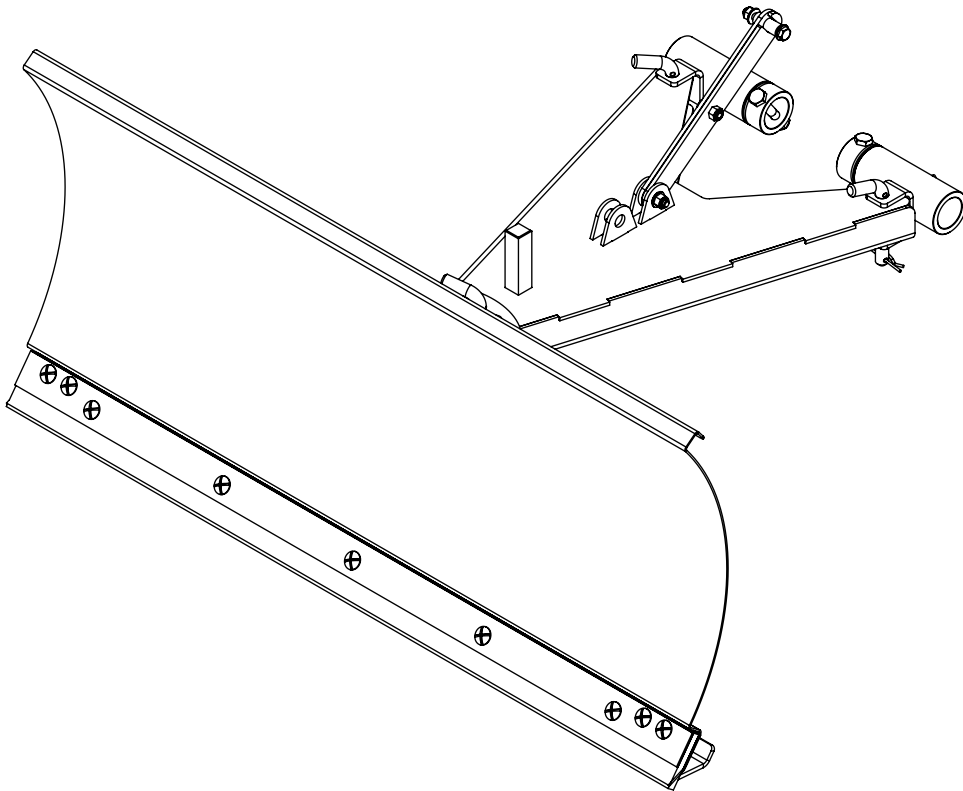
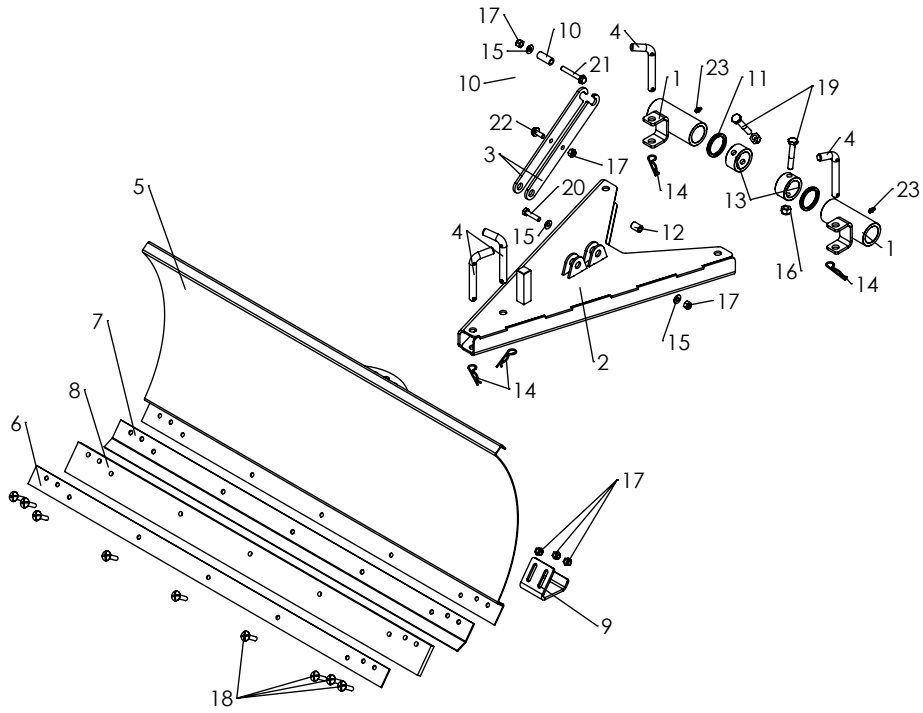


Pièces de rechange Spare parts list

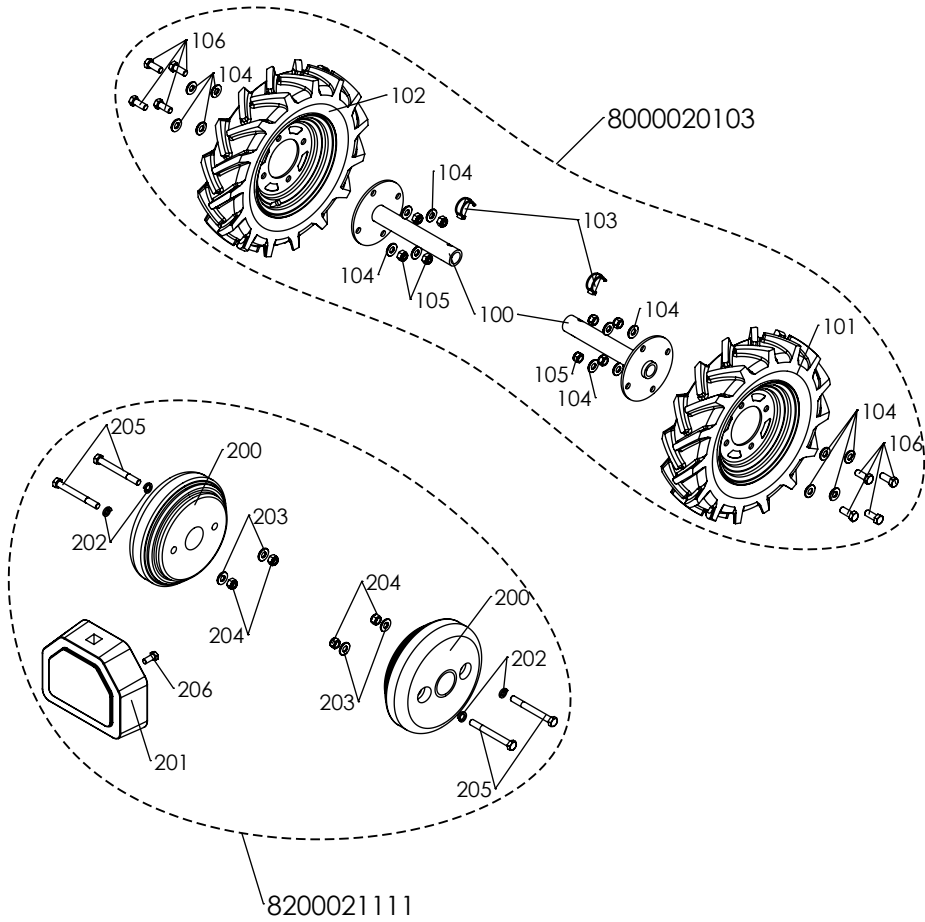
8000**10**



*LAME NIVELEUSE
GRADER BLADE*

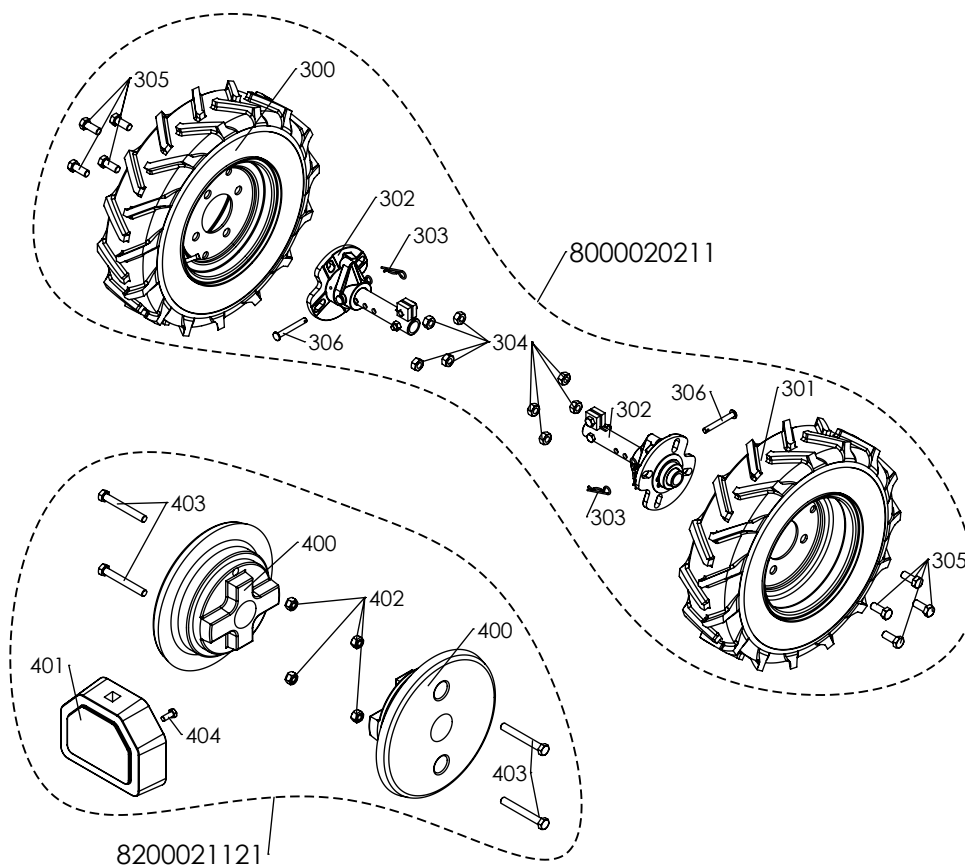


Roues 400x8"
Wheels 400x8"

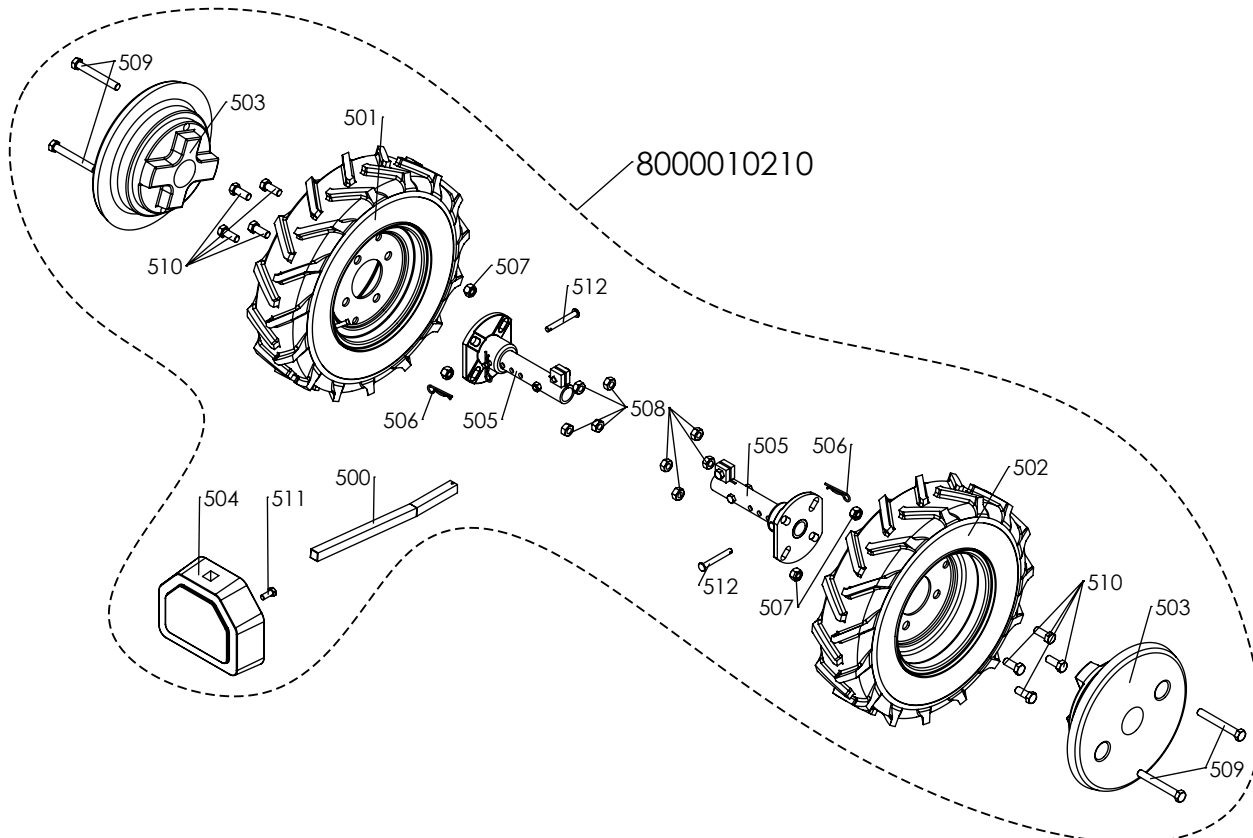


○ Accessoires livrés séparément
 Accessories supplied separately

Roues 500x10" moyeu 3/4 de tour
Wheels 500x10" 3/4 turn hub



Roues 500x10" moyeu fixe
Wheels 500x10" fixed hub



○ Accessoires livrés séparément
 Accessories supplied separately

Rep N°	Ref.	Désignation	Description	Machines	400x8 Qte	500x10 3/4 Qte	500x10 Fixe Qte
1	8102100305	MOYEU ROUE LAME NIVELEUSE NOIR RAL9005	WHEEL HUB GRADER BLADE BLACK RAL9005	Vario/Quatro J	2	2	-
1	8102100307	MOYEU ROUE LAME NIV QS NOIR RAL9005	WHEEL HUB GRADER BLADE QS BLACK RAL9005	Quatro S	-	-	2
2	8102100302	PIECE LIAISON LAME NIVELEUSE NOIR RAL9005	GRADER BLADE FRAME BLACK RAL9005		1	1	1
3	8102100306	TRINGLE LIAISON LAME NIVELEUSE NOIR RAL9005	ROD TILLER / GRADER BLADE BLACK RAL9005	Vario/Quatro J	2	2	-
3	8102100308	TRINGLE LAME NIV QS NOIR RAL9005	ROD TILLER / GRADER BLADE QS BLACK RAL9005	Quatro S	-	-	2
4	3002000106	BROCHE D14 LG 155	PIN D14 LG 155		4	4	4
5	8102100301	LAME NIVELEUSE NOIR RAL9005	GRADER BLADE BLACK RAL9005		1	1	1
6	8102100304	REGLE SUP MAINTIEN CAOUT LAME NOIR RAL9005	RUBBER SUPPORT BLACK RAL9005		1	1	1
7	8102100303	REGLE INF MAINTIEN CAOUT LAME NOIR RAL9005	SHEET RULE BLACK RAL9005		1	1	1
8	0341000117	BANDE CAOUTCH LAME NIVELEUSE	RUBBER RULE		1	1	1
9	0304000323	PATIN LAME NIVELEUSE ZINGUE	BLADE RUNNER		2	2	2
10	0302020174	ENTR. 14x9x33.5	SPACER 14x9x33.5	Vario	1	1	-
10	0302020170	ENTR. 14x10x54 Z	SPACER 14x10x54 Z	Quatro J	1	1	-
10	0302020172	ENTR. 14x10x42.8 Z	SPACER 14x10x42.8 Z	Quatro S	-	-	1
11	0302020171	ENTR. 50x40x5 Z	SPACER 50x40x5		-	2	-
12	0302020168	ENTRETOISE D=14 D=8.5 LG=20	SPACER Ø14xØ8.5x20		1	1	1
13	0302020167	BUTEE ROUE MOYEU LAME NIVELEUS	HUB STOP RING	Vario/Quatro J	2	-	-
13	0302020173	BUTEE ROUE MOYEU LAME NIVELEUS QS	HUB STOP RING QS	Quatro S	-	-	2
14	0301030005	GOUPILLE BETA 2.5 Z x 60	CLIP PIN BETA 2.5		4	4	4
15	0300400802	RONDELLE PLATE M 8X18X1.5 Z NFE 25513	PLATE WASHER M 8X18X1.5 Z NFE 25513		3	3	2
16	0300211001	ECROU FREIN M 10 Z DIN 985/8	BLOCKING NUT M 10 Z		2	-	2
17	0300210802	ECROU FREIN M 8 Z DIN 985/8	BLOCKING NUT HM 8 Z DIN 985/8		12	12	11
18	0300050804	VIS POELIER 8 X 35 Z	STOVE SCREW 8 X 35		9	9	9
19	0300011021	VIS H 10x60/26 N CL10.9 DIN931	SCREW H M10x60 DIN 931	Vario/Quatro J	2	-	-
19	0300011035	VIS HM10X70/26 Z DIN 931/10.9	SCREW H M10x70/26 Z DIN 931	Quatro S	-	-	2
20	0300010844	VIS H M8x35 CL8.8 ZN DIN 933 ISO 4014	SCREW HM 8x35 Z		1	1	1
21	0300010837	VIS H 8x55 Z EMB CR DIN 6921 CL 6.8 FILETAGE PARTIEL	SCREW H 8x55 Z DIN 6921 NOTCHED SHOULDER CL 6.8		1	1	-
22	0300010816	VIS H 8x20 Z EMB CR	SCREW H M8X20 Z NOTCHED SHOULDER CL 8.8		1	1	1
23	0002010646	GRAISSEUR M6	GREASER M6		2	2	2

Rep N°	Ref.	Désignation	Description	Qte
100	8002010302	MOYEU KIT ROUE NOIR 400x8 LG 230 PRIMO/ECO/PROMO	Black RAL 9005 wheel hub kit lenght 230mm	2
101	0309000024	ROUE 4.00x8 GAUCHE PNEU 4PR KT801 ou DURO JANTE 2.50x8 4.8	LEFT WHEEL 400X8 (TIRE 4PR) KT801 ou DURO JANTE 2.50x8 4.8	1
102	0309000023	ROUE 4.00x8 DROITE PNEU 4PR KT801 ou DURO JANTE 2.50x8 4.8	RIGHT WHEEL 400X8 (TIRE 4PR) KT801 ou DURO JANTE 2.50x8 4.8	1
103	0301010014	GOUPILLE CLIPS 10 x 36	CLIP PIN D10 x 36	2
104	0300401201	RONDELLE PLATE M 12X27X2.5 Z NFE 25513	PLATE WASHER M 12X27X2.5 Z NFE 25513	16
105	0300211201	ECROU FREIN M 12 Z DIN 985/8	BLOCKING NUT M 12 Z	8
106	0300011212	VIS H 12 X 30 Z DIN 933/6.8	Screw HM 12x30	8
200	0303000021	MASSE ROUE 400x8	WHEEL BALANCE WEIGHT GREY RAL7000	2
201	0303000002	CONTRE POIDS AVANT 20KG MDLE97	Front balance weight	1
202	0300451201	RONDELLE GROWER 12 Z	Grower washer M12	4
203	0300401201	RONDELLE PLATE M 12X27X2.5 Z NFE 25513	PLATE WASHER M 12X27X2.5 Z NFE 25513	4
204	0300211201	ECROU FREIN M 12 Z DIN 985/8	BLOCKING NUT M 12 Z	4
205	0300011201	VIS H 12 X 110/30 Z CL 8.8 NFE 24024-ISO 4014	Screw H M 12x110/30 Z ISO4014	4
206	0300011008	VIS H 10 X25 Z DIN 933/8/8	SCREW H M10x25 Z	1
300	0309000008	ROUE 5.00x10 DROITE Pneu 4PR UNION TR218 Jante 4.25x10	RIGHT WHEEL 5.00x10 (tire 4PR)	1
301	0309000007	ROUE 5.00x10 GAUCHE Pneu 4PR UNION TR218 Jante 4.25x10	LEFT WHEEL 5.00x10 (tire 4PR)	1
302	0302030017	MOYEURS DIFFERENTIELS	DIFFERENTIAL HUB	2
303	0301030002	GOUPILLE BETA3	BETA PIN BETA 3 Z	2
304	0300201401	ECROU H.U. M 14 Z	Nut HU M14z	8
305	0300011402	VIS H 14 X 35 Z	Screw HM14x35 z	8
306	0002080001	GOUPILLE Ø10x80	PIN Ø10x80	2
400	0303000003	MASSE ROUE 500X10 30KG	500x10 WEIGHT WHEEL 30Kg	2
401	0303000002	CONTRE POIDS AVANT 20KG MDLE97	Front balance weight	1
402	0300211401	ECROU-FR-DIN980-V-8-CLÉ22-M14	BLOCKING NUT M14	4
403	0300011404	VIS H 14 X 110/34 Z 8.8	Screw HM14x110 z	4
404	0300011008	VIS H 10 X25 Z DIN 933/8/8	SCREW H M10x25 Z	1
500	3502020325	SUPP CONTRE POIDS xQSxNOIRx	BALANCE WEIGHT SUPPORT BLACK RAL9005	1
501	0309000008	ROUE 5.00x10 DROITE Pneu 4PR UNION TR218 Jante 4.25x10	RIGHT WHEEL 5.00x10 (tire 4PR)	1
502	0309000007	ROUE 5.00x10 GAUCHE Pneu 4PR UNION TR218 Jante 4.25x10	LEFT WHEEL 5.00x10 (tire 4PR)	1
503	0303000003	MASSE ROUE 500X10 30KG	500x10 WEIGHT WHEEL 30Kg	2
504	0303000002	CONTRE POIDS AVANT 20KG MDLE97	Front balance weight	1
505	0302030064	MOYEURS FIXES Q Senior	FIXED HUBS (QS)	2
506	0301030002	GOUPILLE BETA3	BETA PIN BETA 3 Z	2
507	0300211401	ECROU-FR-DIN980-V-8-CLÉ22-M14	BLOCKING NUT M14	4
508	0300201401	ECROU H.U. M 14 Z	Nut HU M14z	8
509	0300011404	VIS H 14 X 110/34 Z 8.8	Screw HM14x110 z	4
510	0300011402	VIS H 14 X 35 Z	Screw HM14x35 z	8
511	0300011008	VIS H 10 X25 Z DIN 933/8/8	SCREW H M10x25 Z	1
512	0002080001	GOUPILLE Ø10x80	PIN Ø10x80	2